

## XPRESS PRE-INSTALLATION CHECKLIST

THIS FORM MUST BE COMPLETED AND SUBMITTED TO CONCORDIA BEFORE INSTALLATION WILL BE SCHEDULED  
**FAX NUMBER 1-425-453-1490 - ATTENTION INSTALLATION COORDINATOR**

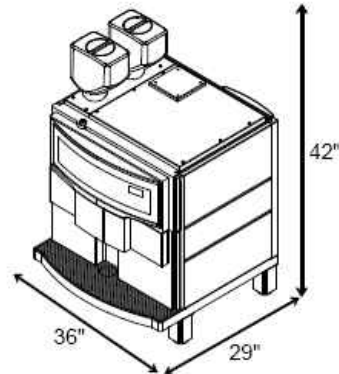
The installation visit includes the following: set-up, test, calibration, and customer training. If more than one visit is required to complete the installation due to unprepared site, return visits will be billable at **\$250.00** each.

<b>Company Name</b>		IF APPLICABLE, PLEASE SUPPLY
<b>Contact Name</b>		<b>Construction Company Name</b>
<b>Site Address</b>		<b>Construction Contact Name</b>
<b>Billing Address</b>		
<b>Phone</b>		<b>Phone</b>
<b>Fax</b>		<b>Fax</b>

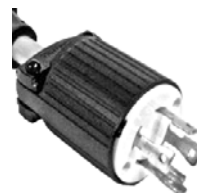
### SITE PHYSICAL REQUIREMENTS

<input type="checkbox"/>	<p><b>LOCATION:</b> The countertop must support at least 300lbs. Minimum countertop space: 36" (92cm) W x 29" (74cm) D x 42" (107cm) H. <b>Actual machine dimensions are smaller</b>, extra space is required for Service Access. Access holes for the drain, water, and flavor hoses must be cut into the countertop. See <b>Access Holes Diagram</b>.</p> <p><b>For Cabinet Installations:</b> Proper air circulation, ventilation, and accessibility needs must be met. The air going into the machine <b>must not</b> exceed 85°F (29°C). The machine must be moveable. If you are installing in a cabinet or other enclosed space, please contact Concordia prior to installation.</p>
<input type="checkbox"/>	<p><b>ELECTRICAL:</b> NEMA L14-30R receptacle. Minimum 208Vac on dedicated 30amp circuit. <u>Must be located within five feet of machine.</u></p>
<input type="checkbox"/>	<p><b>WATER:</b> Cold water source with a female 1/4" or 3/8" tube fitting and shut-off valve. Min. 30psi, Max. 100psi, 25gpm. If your location has a Reverse Osmosis System, a freshwater bypass is required. Water hardness must not exceed 3gpg.</p>
<input type="checkbox"/>	<p><b>WATER TREATMENT SYSTEM:</b> Space must be available to install water treatment system. <u>Must be located within five feet (1.5 meters) of machine.</u> Dimensions: 14" (36cm) W x 6" (16cm) D x 18" (46cm) H. Unit is mounted on the wall.</p>
<input type="checkbox"/>	<p><b>DRAIN:</b> Connection for a 3/4" (1.9cm) ID drain hose. <u>Must be located within five feet (1.5 meters) of machine.</u></p>
<input type="checkbox"/>	<p><b>AMBIENT AIR TEMPERATURE:</b> The air temperature around the machine must not exceed 85°F (29°C), to ensure the refrigeration unit and the machine operate properly.</p>

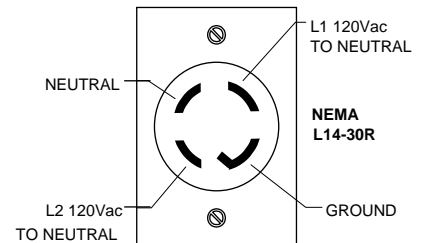
### XPRESS INSTALLATION DIMENSIONS



### ELECTRICAL



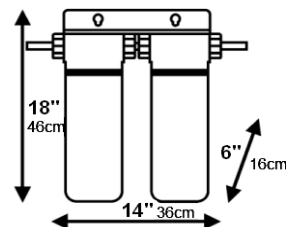
L14-30P



### CUSTOMER SUPPLIED CONSUMABLES

<input type="checkbox"/>	<b>BEANS</b>	Whole espresso beans (regular and decaf). Minimum 5 lbs each.
<input type="checkbox"/>	<b>MILK</b>	Two gallons of milk (e.g. 2% and non-fat).
<input type="checkbox"/>	<b>CUPS</b>	Two sizes (e.g. 8oz/240mL and 12oz/360mL). Minimum 30 each.

### WATER TREATMENT SYSTEM DIMENSIONS



I HAVE READ AND UNDERSTAND THIS DOCUMENT & CONFIRM THESE **REQUIREMENTS HAVE BEEN MET**. Make copy for your records.

Customer Name (Print): \_\_\_\_\_ Title: \_\_\_\_\_

Customer Signature: \_\_\_\_\_ Date: \_\_\_\_\_

### Access Holes Diagram

Connection for a 3/4" (1.9cm) ID drain hose must be located within five feet (1.5 meters) of the machine. The location may require a drain hose access hole be cut in the counter top. This must be completed prior to installation.

