

## INTEGRA PRE-INSTALLATION CHECKLIST (Soft-Plumbed)

THIS FORM MUST BE COMPLETED AND SUBMITTED TO CONCORDIA BEFORE INSTALLATION WILL BE SCHEDULED  
**FAX NUMBER 1-425-453-1490 - ATTENTION INSTALLATION COORDINATOR**

The installation visit includes the following: set-up, test, calibration, and customer training. If more than one visit is required to complete the installation due to unprepared site, return visits will be billable at **\$250.00** each.

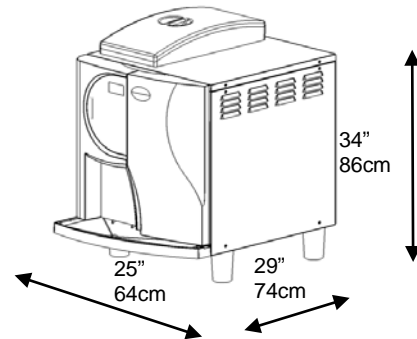
|                        |  |                                  |
|------------------------|--|----------------------------------|
| <b>Company Name</b>    |  | IF APPLICABLE, PLEASE SUPPLY     |
| <b>Contact Name</b>    |  | <b>Construction Company Name</b> |
| <b>Site Address</b>    |  | <b>Construction Contact Name</b> |
| <b>Billing Address</b> |  |                                  |
| <b>Phone</b>           |  | <b>Phone</b>                     |
| <b>Fax</b>             |  | <b>Fax</b>                       |

### SITE PHYSICAL REQUIREMENTS

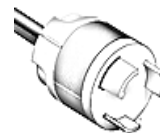
|                          |   |
|--------------------------|---|
| <input type="checkbox"/> | <p><b>LOCATION:</b> The countertop must support at least 300lbs. Minimum countertop space: 25" (64cm) W x 29" (74cm) D x 34" (86cm) H. <b>Actual machine dimensions are smaller</b>, extra space is required for Service Access. Access holes for the drain and water hoses must be cut into the countertop. See <b>Access Holes Diagram</b>.</p> <p><b>For Cabinet Installations:</b> Proper air circulation, ventilation, and accessibility needs must be met. The air going into the machine <b>must not</b> exceed 85°F (29°C). The machine must be moveable. If you are installing in a cabinet or other enclosed space, please contact Concordia prior to installation.</p> |
| <input type="checkbox"/> | <p><b>ELECTRICAL:</b> NEMA L6-30R receptacle. Minimum 208Vac on dedicated 30amp circuit. <u>Must be located within five feet of machine.</u></p>  |
| <input type="checkbox"/> | <p><b>WATER SYSTEM:</b> 5-gallon water container. Do not use distilled water. <b>External pump required but not supplied.</b> For optimum performance, it is recommended to use a bottled water pump such as the Flojet 115Vac Model #BW1000G, or an equivalent pump. <b>See Water System Diagram.</b></p>  |
| <input type="checkbox"/> | <p><b>DRAIN:</b> Container for drainage of waste water.</p>   |
| <input type="checkbox"/> | <p><b>AMBIENT AIR TEMPERATURE:</b> The air temperature around the machine must not exceed 85°F (29°C), to ensure the refrigeration unit and the machine operate properly.</p>   |

### INTEGRA INSTALLATION DIMENSIONS

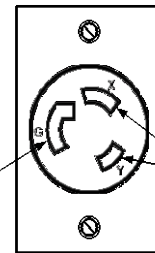
*Actual machine dimensions are smaller*



### ELECTRICAL



L6-30P



NEMA L6-30R RECEPTACLE

GROUND

PHASE TERMINALS

### CUSTOMER SUPPLIED CONSUMABLES

|                          |              |  |
|--------------------------|--------------|--|
| <input type="checkbox"/> | <b>BEANS</b> | Whole espresso beans (regular and decaf). Minimum 5lbs each. |
| <input type="checkbox"/> | <b>MILK</b>  | 1 gallon milk (e.g. 2%, 1%, or non-fat).                     |
| <input type="checkbox"/> | <b>CUPS</b>  | Two sizes (e.g. 8oz/240mL and 12oz/360mL). Minimum 30 each.  |

### WATER SYSTEM DIAGRAM (Not Supplied)



I HAVE READ AND UNDERSTAND THIS DOCUMENT & CONFIRM THESE REQUIREMENTS HAVE BEEN MET. Make copy for your records.

Customer Name (Print): \_\_\_\_\_ Title: \_\_\_\_\_

Customer Signature: \_\_\_\_\_ Date: \_\_\_\_\_

## Access Holes Diagram

Connection for a 3/4" (1.9cm) ID drain hose must be located within five feet (1.5 meters) of the machine.

The location may require a drain hose access hole be cut in the counter top. This must be completed prior to installation.

